

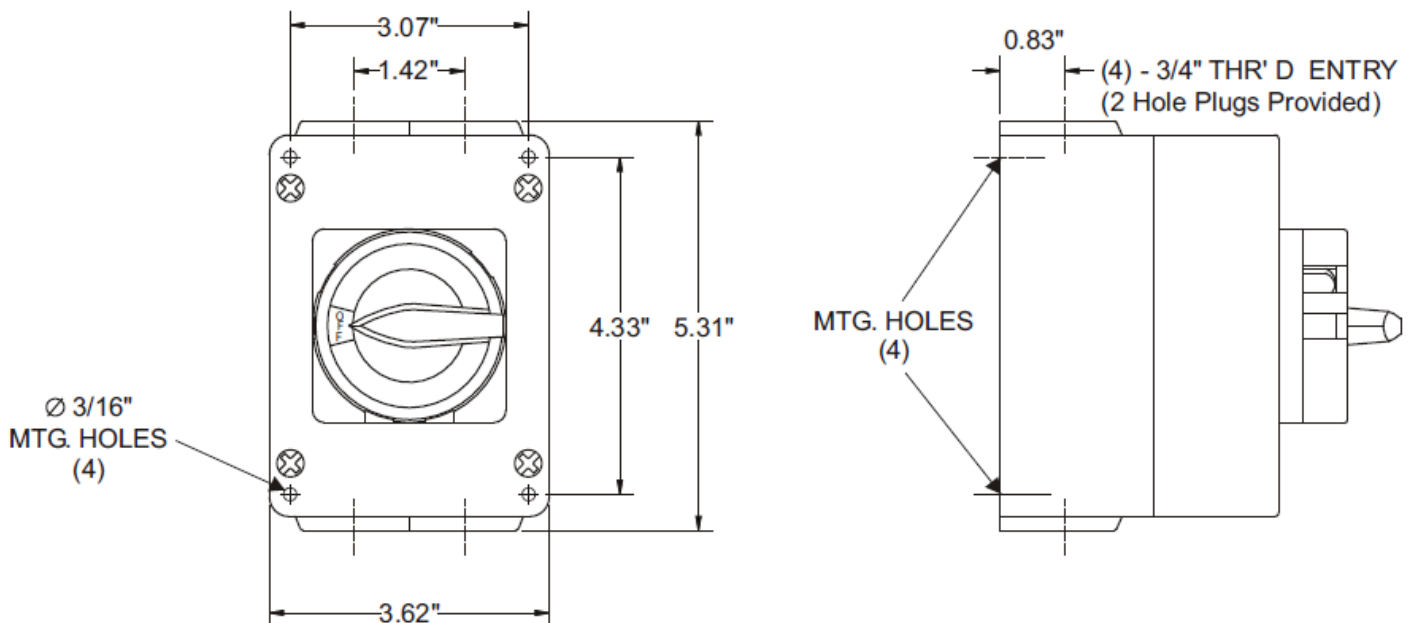
MENNEKES
 Electrical Products
 277 Fairfield Road
 Fairfield, NJ 07004
 800-882-7584
 www.MENNEKES.com

MS DISCONNECT SWITCH

Part No.	ME 30MS-M2
Description:	30 Amp 3Ø 600Vac Motor Disconnect with Early Break Auxiliary Contacts - 1 N/O; 1 N/C
Construction:	IP 65
Approvals:	 to UL Standard 508 and CSA C22.2 No.14-10
Performance:	Lock Rotor Tested 10kAIC with 45A RK1 Fuse Suitable as Motor Disconnect Per NEC 430-109(a)(6)

HP RATINGS:

3 Ø		
240V	480V	600V
7.5	15	15



Drawing Not to Scale